

TRUCKS AND BUSES



STAY AHEAD.

Eicher Pro 3019

The 18.5 Tonne GVW Truck



EUTECH 6

EUTECH 6

Eicher is creating a new benchmark in the Indian commercial vehicle industry, through a revolutionary BSVI solution that combines global technology with innovative support services. This solution doesn't just make your vehicle BSVI compliant but ensures higher productivity of the truck and profitability of your business.



Euro VI Expertise for 6 years

VECV has been manufacturing and supplying base engines to the Volvo Group since 2013. Over 1,00,000 Euro VI base engines supplied, operating in 41 countries. First to rollout BSVI CV range in India, incorporating expertise of Euro VI technology.



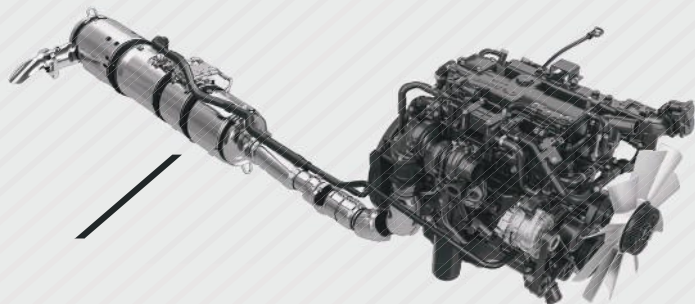
Efficient EATS and engine technology

Best Fluid Economy: Lower fuel consumption + DEF consumption combined. Reliable EATS + engine technology tested for over 56,00,000 km. Vanadium based SCR for high reliability & low maintenance.



Enhanced UPTIME

Eicher Uptime Centre for 24x7 support by specialists. GPS enabled service vans just a phone call away. Remote Diagnostics for quick repair of BSVI vehicles.



FUEL EFFICIENT E494 ENGINE WITH CIGAR TYPE EATS

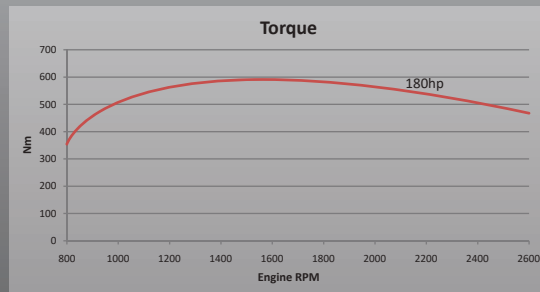


The new Eicher Pro 3019 is the 18.5 tonne GVW rigid truck powered with the smart & efficient E494 engine. Complemented with next generation features for redefining levels of efficiency and profitability, Pro 3019 is designed to deliver class leading performance so that you tap into new opportunities, grow your business smartly and *Stay Ahead*.



More Km per Litre.

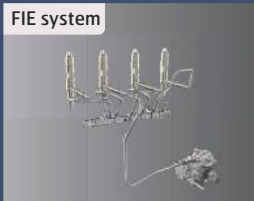
The new Eicher Pro 3019 is designed to offer unmatched fuel efficiency thereby reducing total cost of ownership. Equipped with smart and efficient **E494** engine along with Engine Management System, Pro 3019 delivers the **widest flat torque curve** ensuring that you make the most out of every drop of the fuel.



More Trips. Extra Miles.

With strong and optimized driveline, Pro 3019 offers higher power and torque at wheels, greater pulling power and superior gradeability leading to quicker turnaround and more trips.

- » High power to weight ratio for better load pulling ability.
- » Modular DOMEX chassis for High tensile strength.
- » Parabolic suspension with Anti Roll bar at front for better vehicle stability at sharp turns.
- » Ergonomically designed cabin for increased driver productivity.
- » Cruise control for reduced driver fatigue and higher productivity.



- » Efficient E494 CRS Engine- 180HP @ 2600 rpm
- » Flat torque delivery of 600 Nm over a wide rpm range (1200-1800 rpm)
- » 'M Booster+' to optimize acceleration and maximize fuel efficiency
- » First in industry **Fuel coaching** providing real time guidance for improved driver efficiency and fuel economics
- » Optimized combustion of fuel through advanced combustion chamber design



Superior Uptime.

Built with strong and robust aggregates, designed and developed from **global technology coupled with advanced design and manufacturing processes**, Pro 3019 ensures unmatched reliability and durability. With the **fully equipped Eicher Service Network**, preventive maintenance of the truck is ensured thus delivering superior uptime.



Clutch wear indicator



ET70 6 Speed Gearbox



Bigger Crown Wheel



- » Advance on-Board Diagnostics system that provides fault indicators in the form of visual signals, messages and alarms
- » Engine Protection System
- » Exhaust brake to prevent engine over-running
- » Longer and synchronized Service Intervals

More Comfort. Longer Drives.

Pro 3019 Cabin is all about comfort, safety and maximum productivity. The **ergonomically designed cabin** provides an environment that almost resembles that of a car ensuring the drivers are not only comfortable, but are also able to do more kilometres a day.

- » Meeting AIS 029 cabin strength test
- » Dual panel cabin for structural strength
- » Intelligent Driver information system (IDIS) to provide truck operational parameters
- » Tilt & telescopic power steering with 6 way adjustable seat for better driving posture
- » Cruise Control for fatigue-free driving experience
- » Sleeper cabin for better comfort



IDIS



6-way adjustable driver seat

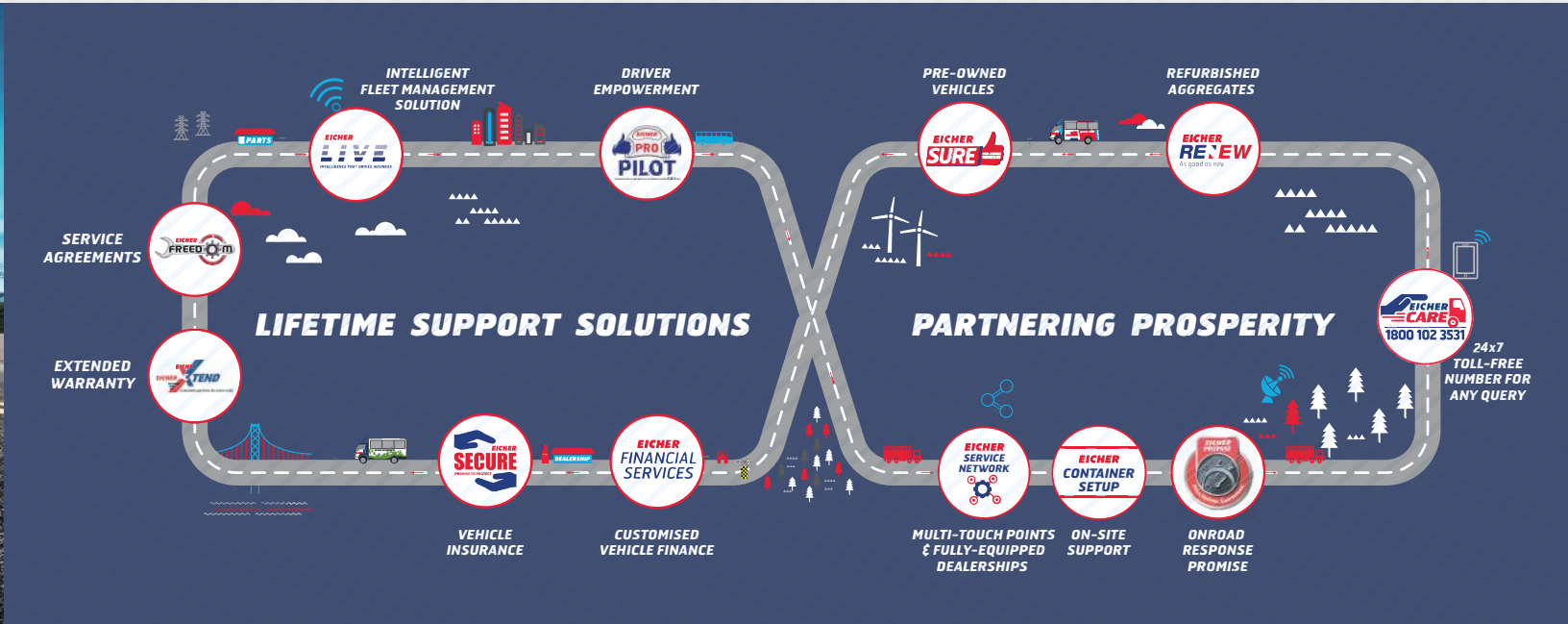


Tilt & telescopic power steering



Lifetime Support Solutions.

Through our Lifetime Support Solutions, we ensure a seamless and hassle free experience from the time you consider buying an Eicher vehicle to the time you think of selling. Our continuously improving and holistic services will ensure higher uptime and productivity for your BSVI vehicles.

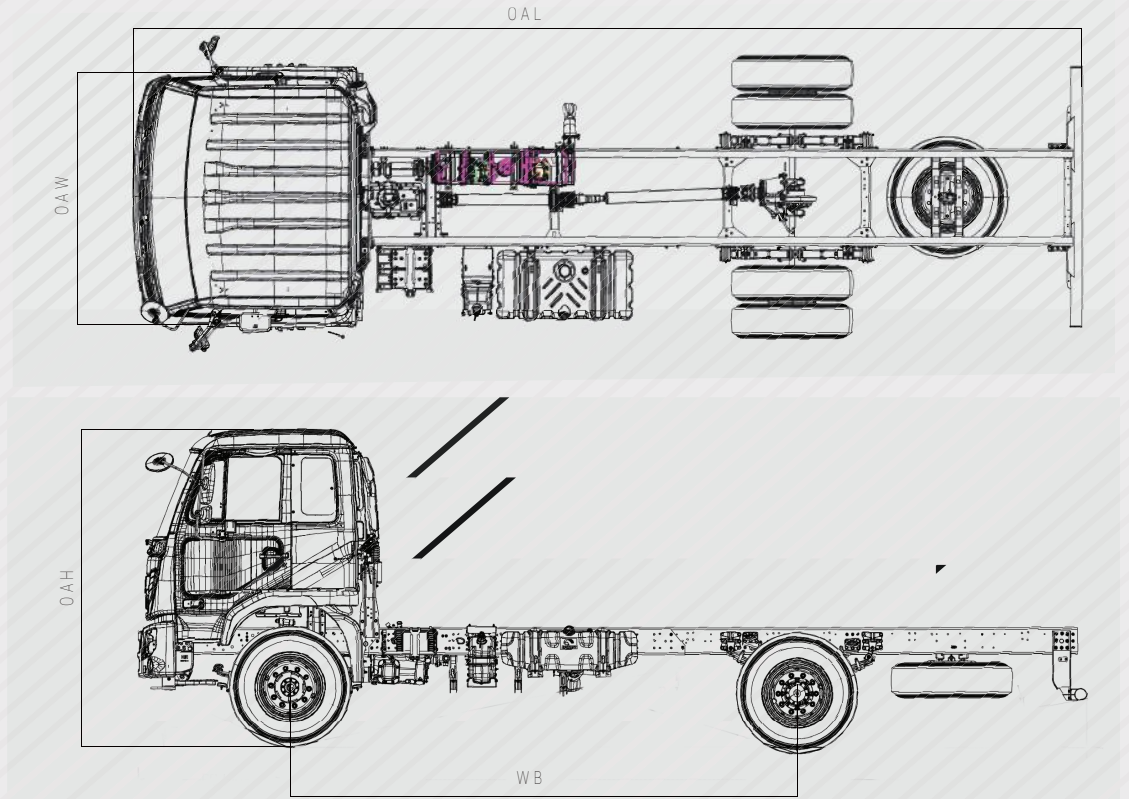


Eicher has taken a step towards achieving Superior Uptime, with a responsive attitude, that will set us apart and create a differentiated experience for our customer. With our new UPTIME CENTER and UPTIME CERTIFIED WORKSHOPS, we are now geared up with a pro- active support system for diagnostic assistance through advanced diagnostic tools.



Model Eicher Pro 3019

GVW (kg)	18500				
Engine	E494, 4 Cylinder, BSVI				
Max Power	180 hp @ 2600 rpm				
Max Torque	600 Nm @ 1200-1800 rpm				
Clutch (mm)	362				
Gearbox	ET 70 S6, Manual				
Rear Axle	Heavy Duty fully floating single reduction, 395mm drive head				
FDR	5.857				
Chassis Dimensions (mm)	230x76x6				
Brakes	Dual circuit full air 'S' Cam with ABS				
Front Suspension	Parabolic				
Rear Suspension	Semi Elliptic				
Cabin	Sleeper Cabin				
Steering	Tilt and telescopic power steering				
Tyres	Front/ Rear: 295/90R20				
Fuel Tank (Litres)	190/ 425				
DEF Tank (Litres)	27				
Battery	24V				
Gradeability (%)	25				
Wheelbase (mm)	4900	5490			6690
Variants	CBC	HSD	CBC	HSD	MS Container
Load body Span (mm)	6067	6112	7295	7361	7356
Applications	Fruits & Vegetables, Industrial Goods, Parcel & Courier, FMCG, e-Commerce, Auto Carrier, LPG & Tankers				



Vehicle Model	Overall Length (OAL) mm	Overall Width (OAW) mm	Overall Height (OAH) mm	Wheelbase (mm)
Pro 3019 CBC (6067mm)	8380	2332	2722	4490
Pro 3019 CBC (7295mm)	9580	2332	2722	5490
Pro 3019 CBC (9695mm)	11930	2332	2722	6690



VE COMMERCIAL VEHICLES
A VOLVO GROUP AND EICHER MOTORS JOINT VENTURE
eichertrucksandbuses.com, Eicher Care- 1800 102 3531

VE COMMERCIAL VEHICLES LTD.
Registered Address – 3rd Floor Select Citywalk,
A -3 District Centre, Saket, New Delhi 110 107, India
CIN – U74900DL2008PLC175032

CORPORATE ADDRESS
Eicher Trucks & Buses
#96, Sector – 32, Gurgaon
122001, Haryana, India

Caution: *do not weld or drill on chassis frame. *Accessories, colours and features shown in pictures or elsewhere may not constitute standard fitment. *Weight mentioned is for standard configuration with standard body sizes and will change due to optional fitments. *as a result of continuous research and innovation carried out, specifications are merely indicative and are subject to change without notice.