

TRUCKS AND BUSES



PROFITABLE FOR LIFE.

Eicher Pro 6055 The 55 Tonne GCW Tractor



EUTECH 6

EUTECH 6

Eicher is creating a new benchmark in the Indian commercial vehicle industry, through a revolutionary BSVI solution that combines global technology with innovative support services. This solution doesn't just make your vehicle BSVI compliant but ensures higher productivity of the truck and profitability of your business.



Euro VI Expertise for 6 years

VECV has been manufacturing and supplying base engines to the Volvo Group since 2013. Over 1,00,000 Euro VI base engines supplied, operating in 41 countries. First to rollout BSVI CV range in India, incorporating expertise of Euro VI technology.



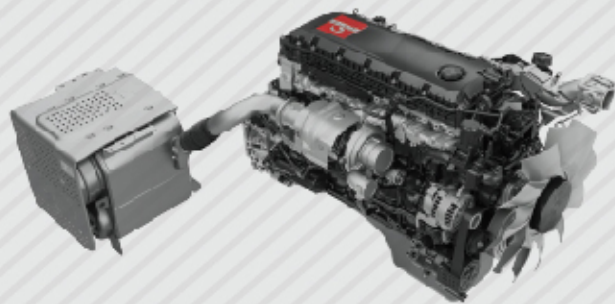
Efficient EATS and engine technology

Best fluid economy: Lower fuel consumption + DEF consumption combined. Reliable EATS + engine technology tested for over 56,00,000 km. Vanadium based SCR for high reliability & low maintenance.



Enhanced UPTIME

Eicher Uptime Centre for 24x7 support by specialists. GPS enabled service vans just a phone call away. Remote diagnostics for quick repair of BSVI vehicles.



COMPACT BOX TYPE EATS FOR EFFICIENT THERMAL MANAGEMENT

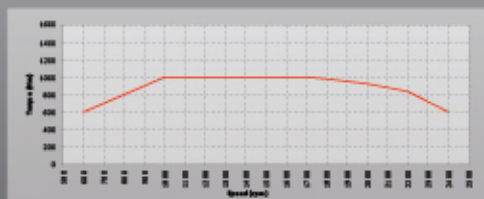
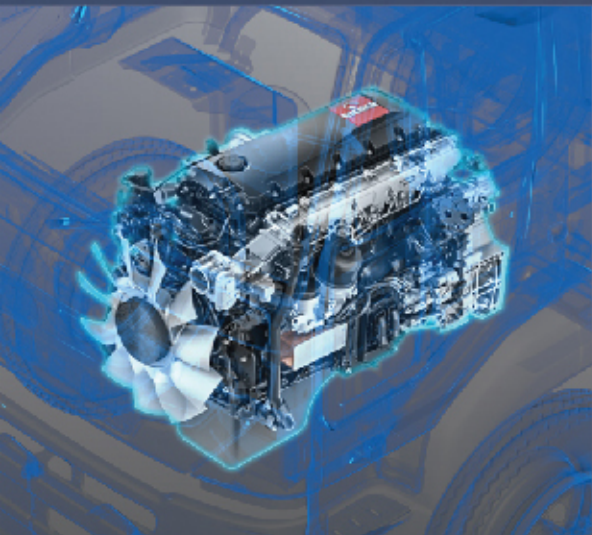


The new Eicher Pro 6055 is the 55 ton GCW articulated tractor powered with the proven VEDX8 delivering the best power and torque combination in its segment. It offers best-in-class fuel efficiency and higher productivity making Eicher Pro 6055 *Profitable for Life*.

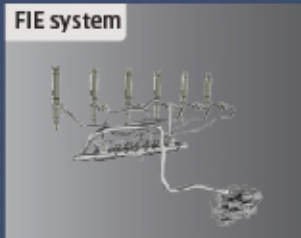


More Km per Litre.

The new Eicher Pro 6055 is designed to deliver best in class fuel efficiency thereby reducing the overall operational costs and increase profitability. The proven VEDX8 engine clubbed with Volvo Group's EMS, delivers **high peak torque over a wide range of RPM**, thereby resulting in more trips with lesser fuel consumption



FIE system



Volvo Group's EMS



ESS Compressor



- » Proven VEDX8 CRS Engine- 260 hp @ 2200 rpm
- » Flat torque delivery of 1000 Nm over a wide rpm range (1000-1700)
- » **M Booster+** to optimize acceleration and maximize fuel efficiency
- » First in industry **Fuel coaching** providing real time guidance for improved driver efficiency and fuel economics
- » Energy saving components like Viscotronic fan & ESS compressor

More Trips. Extra Miles.

Robust, rigorously tested and optimized driveline delivers more power and higher torque which enables **higher productivity**. Quick gear shifts and minimal RPM and torque disruptions enable better pick up. High torque to weight ratio ensures **outstanding gradeability**. All this together leads to **faster turnaround and more trips**.

- » High power to weight ratio for increased load pulling ability.
- » Modular DOMEX chassis for high tensile strength.
- » Parabolic suspension with Anti Roll bar at front for better vehicle stability at sharp turns.
- » Ergonomically designed cabin for increased driver productivity.

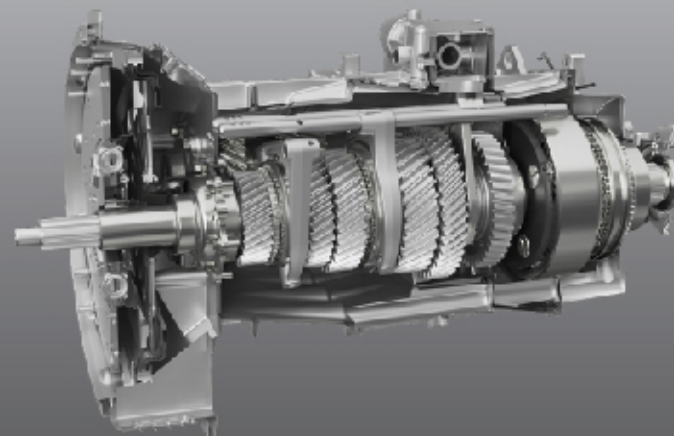
Parabolic suspension



Cruiser Control

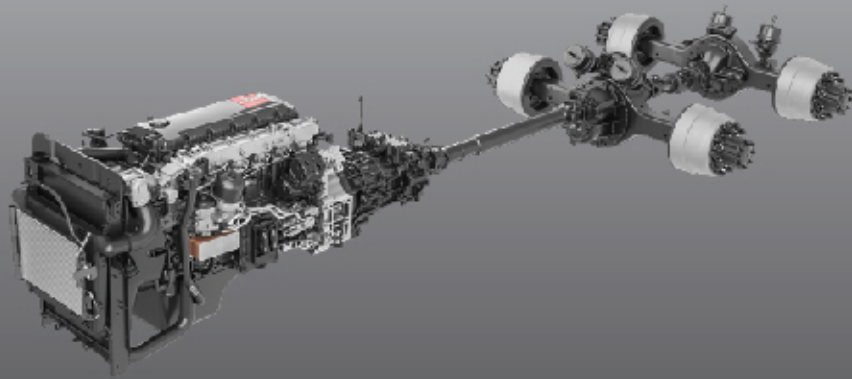


M Booster +



Superior Uptime

Higher strength and lower weight composite material derive **maximum component life** ensuring truck is on road and available to haul always. With the **fully equipped Eicher Service Network**, preventive maintenance of the truck is ensured thus delivering superior uptime.



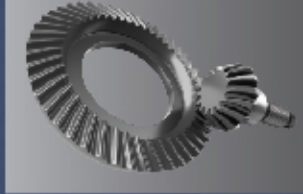
On Board Diagnostics



Clutch Wear Indicator



Bigger Crown Wheel



- » Advance on-Board Diagnostics system that displays fault indicators in the form of visual signals, messages and alarms.
- » Engine Protection System ensuring 4 way protection.
- » Exhaust brake to prevent engine over-running.
- » Longer and synchronized service intervals.

More Comfort. Longer Drives.

Pro 6055 Cabin has been designed keeping in mind the long and tiring journeys, the drivers have to travel in. The **global cabin** provides a **comfortable workspace** that ensures they are not only comfortable, but also safe while on their long runs.

- » Standard HVAC sleeper cabin for better comfort.
- » Meeting AIS 029 cabin strength test.
- » Intelligent Driver information system (IDIS) that provide truck operational parameters.
- » Tilt & telescopic power steering and 6-way adjustable driver seat for better driving posture.
- » Cruise Control for fatigue-free driving experience.



HVAC



6 way adjustable driver seat

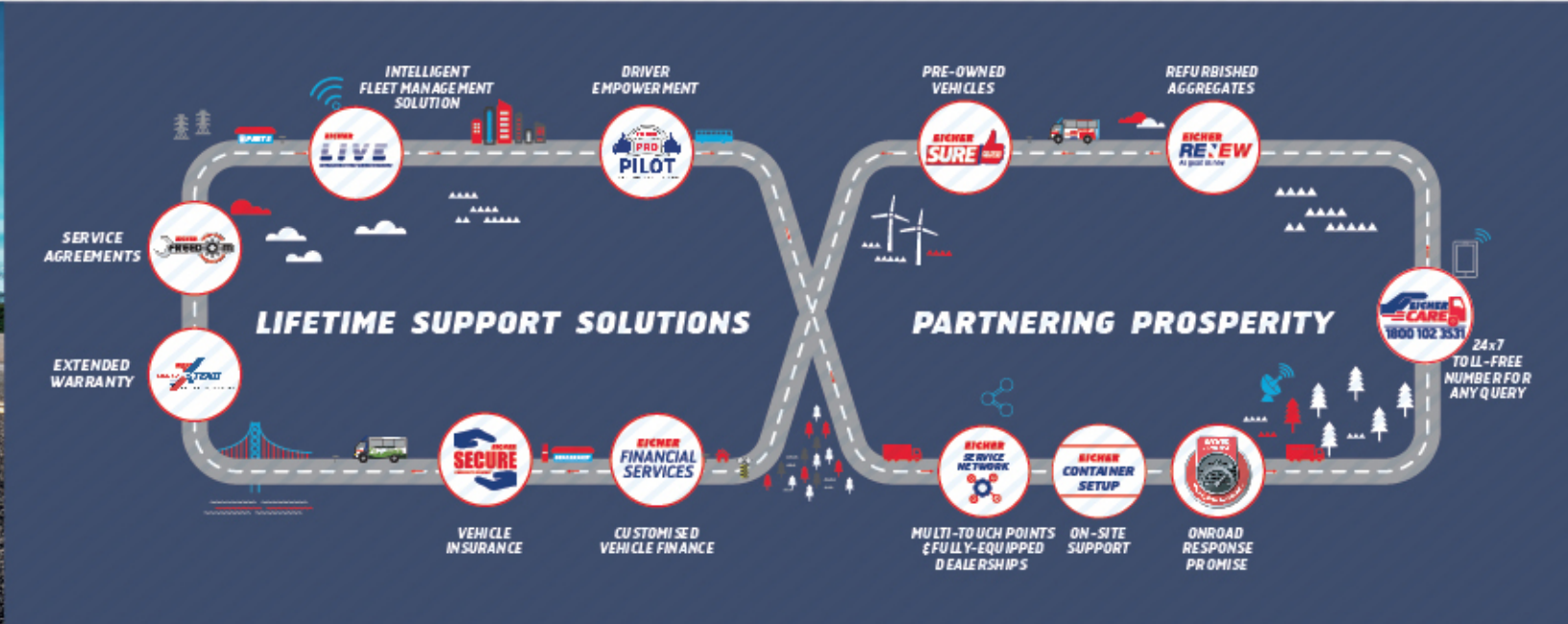


Tilt and telescopic power steering



Lifetime Support Solutions.

Through our Lifetime Support Solutions, we ensure a seamless and hassle free experience from the time you consider buying an Eicher vehicle to the time you think of selling. Our continuously improving and holistic services will ensure higher uptime and productivity for your BSVI vehicles.



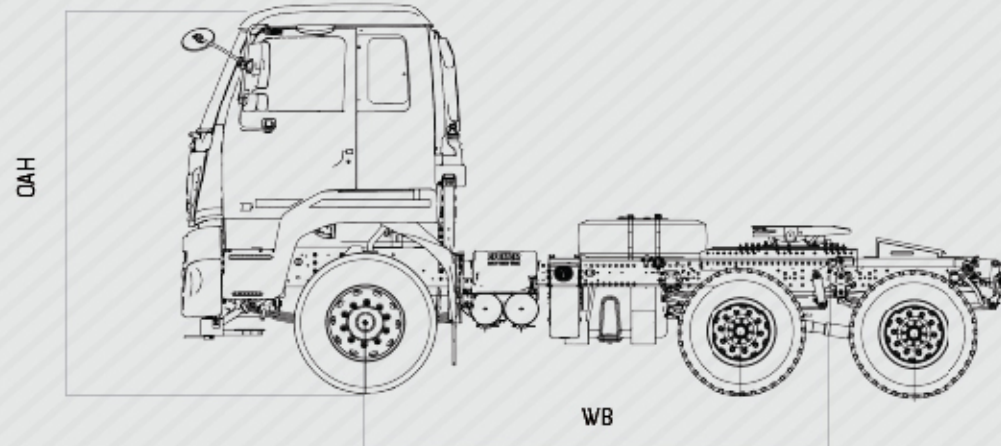
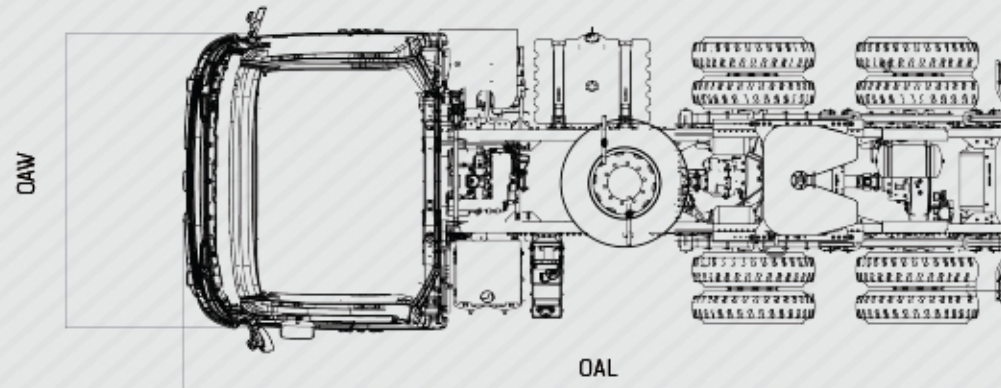
Eicher has taken a step towards achieving Superior Uptime, with a responsive attitude, that will set us apart and create a differentiated experience for our customer. With our new UPTIME CENTER and UPTIME CERTIFIED WORKSHOPS, we are now geared up with a pro- active support system for diagnostic assistance through advanced diagnostic tools.



At Uptime Certified Workshops only
*T&C Apply

Model Eicher Pro 6055

GCW (kg)	55000
Engine	VEDX8, 6 Cylinder, BS-VI
Max Power	260 hp @ 2200 rpm
Max Torque	1000 Nm @ 1000-1700 RPM
Clutch (mm)	430
Gearbox	ET140S9
Rear Axle	Heavy duty fully floating single reduction
FDR	5.29
Chassis Dimensions (mm)	285x76x7
Front Suspension	Parabolic leaf spring with Shock Absorber
Rear Suspension	Bell crank suspension
Cabin	Sleeper Cabin
Steering	Tilt and telescopic power steering
Tyres	Front/Rear:11R20
Fuel Tank (Litres)	350
DEF Tank (Litres)	50
Battery	24V
Gradeability (%)	23
5th Wheel Coupling	50mm
Wheelbase (mm)	4050 (CBC)
Applications	Cement, Bulker, Tip trailer (Blue metal & Coal), Tankers, Steel Coil, Market Load, ISO Container, Medium ODC



Vehicle Model	Wheelbase (WB) mm	Overall Length (OAL) mm	Overall Width (DAW) mm	Overall Height (OAH) mm
Pro 6055 CBC	4050	7093	2528	2915



VE COMMERCIAL VEHICLES
A VOLVO GROUP AND EICHER MOTORS JOINT VENTURE
eichertrucksandbuses.com, Eicher Care- 1800 102 3531

VE COMMERCIAL VEHICLES LTD.
Registered Address – 3rd Floor Select Citywalk,
A -3 District Centre, Saket, New Delhi 110017, india
CIN – U74900DL2008PLC175032

CORPORATE ADDRESS
Eicher Trucks & Buses
#96, Sector – 32, Gurgaon
122001, Haryana, India

Caution: *do not weld or drill on chassis frame. *Accessories, colours and features shown in pictures or elsewhere may not constitute standard fitment. *Weight mentioned is for standard configuration with standard body sizes and will change due to optional fitments. *as a result of continuous research and innovation carried out, specifications are merely indicative and are subject to change without notice.